

Nano Spotlight IP20

Miniature interior 2 Watt LED Spotlight

Product description:

Miniature LED spotlight for use with Radiant Micro Track system. Designed to be used in a wide variety of hospitality and residential applications where the quality and control of light is of high importance

Each Spotlight comprises 1 x Cree XPE, XPG or XQE LED or Osram Oslon LED with a Ledil Tina lens. Up to 2 Watts per spotlight

Wide range of LED colour temperature and CRI options available

Wide range of beam angle options available. TIR optics are changeable on-site

The Spotlights are mounted to the Radiant Micro Track, which is one of the smallest low voltage tracks on the market

The Micro Track is available in polished chrome, dark chrome or satin chrome and is available in straight or curved lengths to order - up to 2.5 mtrs

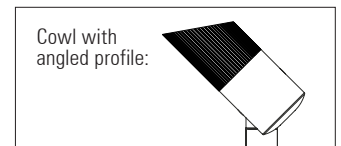
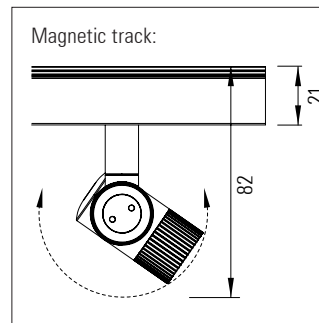
Spotlights are available in any anodized or RAL powder coat finish

Various dimming options available: 1-10V, DALI, DMX. Manual dimming option available

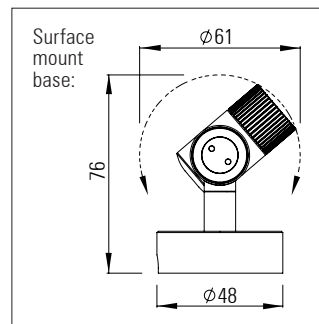
12 V DC or 24 V DC supply, depending on dimming protocol required

Integral LV drivers allow for many spotlights to be powered from a single remote PSU

Anti-glare accessories are available including honeycomb louvres



Up to 200 Lumens per Spotlight



LED / lens matrix	XP-E / Tina2	XP-G / Tina2
Diffused spot (D)	12 °	17 °
Real spot (RS)	11 °	15 °
Medium (M)	31 °	30 °
Wide (W)	50 °	57 °
Wide (WW)	N/A	N/A
Wide (WWW)	N/A	N/A
Elliptical (O)	32+14 °	35+16 °

Product Code	IP	LED Type	Colour Temp. (K)	CRI	Optics	Mounting type	Anti-glare accessories	Cowl	Finish
MICRO TRACK NANO SPOT-LIGHT IP20	20	Cree: XPE XPG XQE Osram: Oslon	27=2,700k 30=3,000k 35=3,500k 40=4,000k 45=4,500k 50=5,000k Coloured LED options also available	Cree: 80 90 Osram: 95	See LED / lens matrix above	Micro Track Magnetic Track Surface mount base	Honeycomb	Custom cowl lengths on request Cowl with angled profile on request	Anodized: Black White Silver Other colour - options available Any RAL powder coat